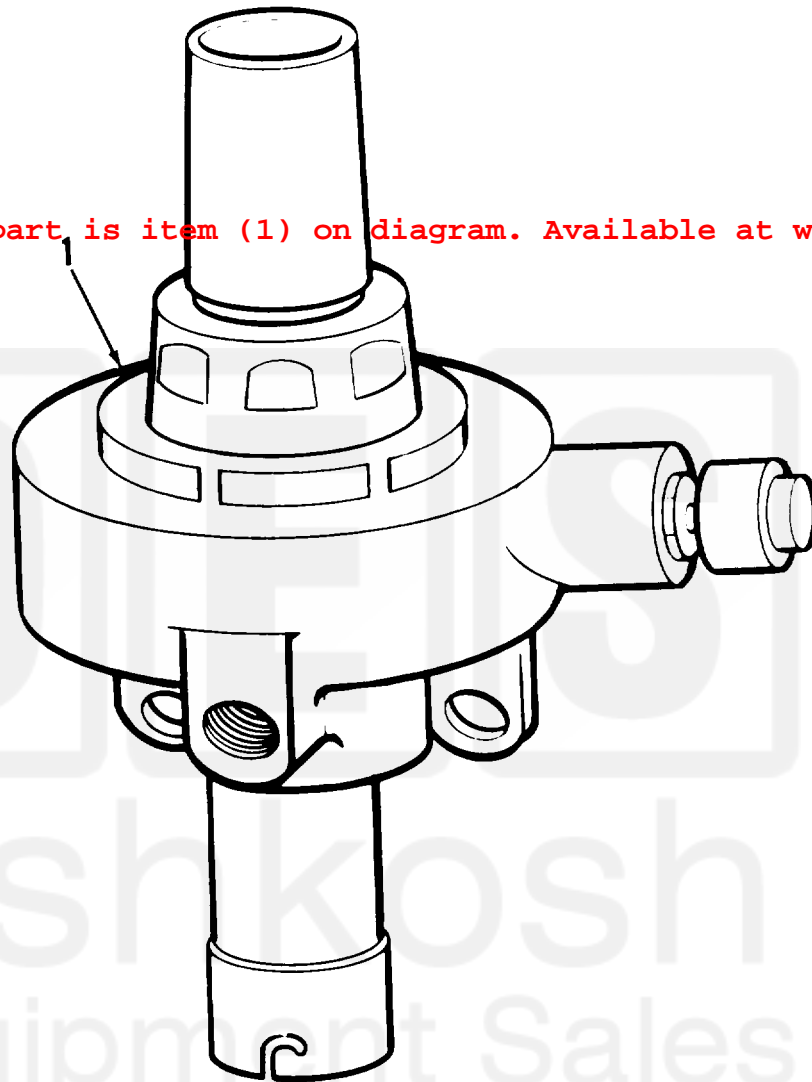


(1) SMR Code	(2) Federal Stock Number	(3) Description	(4) Unit Meas.	(5) Qty	(6) 15-day Maintenance In	(7) Organizational alw Illustration	(a) Figure	(b) Item No.
<p>Reference number & mfg. code</p> <p>Usable on code</p> <p>(a) (b) (c) (d)</p>								
<p>0605-IGNITION COMPONENTS</p> <p>-CONTINUED</p>								
PAOZZ	2805-342-3450	RETAINER, TACHOMETER: DRIVEN GEAR SHAFT AND DRIVE SHAFT BEARING R600M277 (02978)	AA	EA	1	* * * *	60	2
PAOZZ	5330-350-6870	GASKET: TACHOMETER DRIVE SHAFT BEARING RETAINER R600S285 (14351)	AA	EA	1	* * * *	60	3
PAOZZ	5330-292-3159	SEAL, OIL: TACHOMETER DRIVE SHAFT R600S47 (14351)	AA	EA	1	* * * *	60	4
PAOZZ	4730-421-9087	PLUG, PIPE: 1/8NPT HOUSING AND COVER MS49005-2 (96906)	AA	EA	2	* * * *	60	5
PAOZZ	2920-358-6966	CLAMP: MOUNTING, HOUSING 7539532 (19207)	AA	EA	2	* * * *	60	6
PAOZZ	6680-770-3972	GEAR: SHAFT, UPPER R600H214 (14351)	AA	EA	1	* * * *	60	7
PAOZZ	4730-172-0028	FITTING, LUBRICATION: 1/8NPT, 45 DEGREE MS15003-2 (96906)	AA	EA	1	* * * *	60	8
PAOZZ	2920-606-8507	PARTS KIT, COUPLING, DISTRIBUTOR: ELECTRICAL 5702512 (19207) CONSISTING OF: 1-GASKET: 7539577 (19207) 1-CAPACITOR: 7539561 (19207) 1-COUPLING: 7539576 (19207)	AA	EA	1	* * * *	59	KIT
PAOZZ	2920-606-8506	PARTS KIT, DISTRIBUTOR: IGNITION CONTACT 5702510 (19207) CONSISTING OF: 1-CAPACITOR: 7539574 (19207) 1-CONTACT SET: 7529209 (19207) 1-MACHINE SCREW: 110775 (23610) 1-FLAT WASHER: 7539564 (19207)	AA	EA	1	* * * *	59	KIT
<p>0606-ENGINE SAFETY CONTROLS</p> <p>NOTE</p> <p>ELECTRICAL TOOL KIT, FSN 5180-876-9336, AUTHORIZED BY TOE WILL BE UTILIZED FOR APPLICABLE REPLACEMENT PARTS NO SPECIFIED IN THIS GROUP.</p>								
PAOZZ	5930-058-1576	SWITCH,PRESSURE: LOW AIR MS27152-1 (96906)	A	EA	1	* * * *	61	
PAOZZ	5930-776-2673	SWITCH, PRESSURE: STOPLIGHT, AIR, WITH CABLE AND CON-NECTOR, ASSEMBLY 7762673 (19207)	A	EA	1	* * * *	61	

Current part is item (1) on diagram. Available at www.oshkoshequip.com



AT 47158

Figure 61. Low air pressure switch.

Current part is item (1) on diagram. Available at www.oshkoshequip.com